

Here to help

UNIVERSAL DRY VERGE SYSTEM

The Marley Universal Dry Verge system has been designed to make verge detailing secure, BS 5534-compliant and elegantly simple.

Compatible with more tile types than any other – regardless of manufacturer – it's faster and easier to install, more weathertight, durable and secure than ever.

Note: Universal dry verge acts as a single mechanical fixing in accordance with BS 5534: 2014

Tell me more

Call 08705 626400
Email info@marley.co.uk
Or visit marley.co.uk

Marley, Lichfield Road, Branston,
Burton upon Trent, DE14 3HD

December 2018

Using bedded ridges and RidgeFast dry ridge

- 14 Screw ridge end cap through top course verge unit, to end of top course tiling batten. Locate 30mm stainless steel screw (provided) through lower, partly formed fixing holes (Fig. 15).
- 15 If required, trim flange of ridge end cap to fit between top course verge units. (Figs. 16 and 17). Top course verge unit is secured to end of top course tiling batten in normal manner.

Mono-ridge end cap fixing wire

- 16 Construct dry verge units as before up to the roof apex.
- 17 Prior to fixing the gable end mono-ridge tile, push the security wire through the outside face of the mono-ridge tile (using the same fixing hole for screwing the mono-ridge tile to the wall) and bend through 90° (Fig. 18).
- 18 Feed the free end of the wire through the hole in the mono-ridge end cap. Push the end cap tightly against the mono-ridge tile and bend the wire protruding through the end cap downwards flush with the vertical face.
- 19 This assembly can now be placed into position, securing the mono-ridge tile with the stainless steel screws provided. The leading edge of the end cap is secured to the dry ridge batten section (or end of top tiling batten for mortar bedded ridges) using a 30mm screw (supplied in the fixing kit).

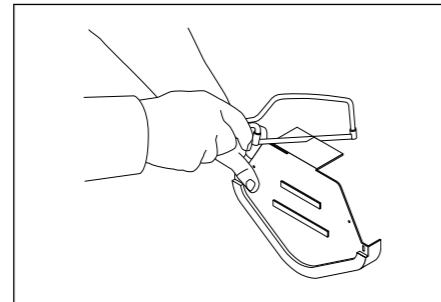


Fig. 17 – Cutting end cap flange

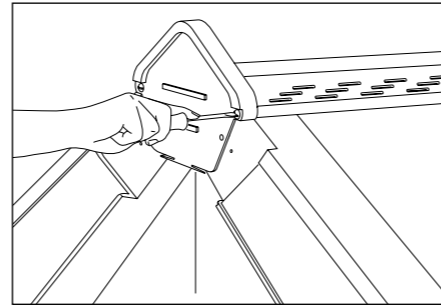


Fig. 14 – Screw fix ridge end cap

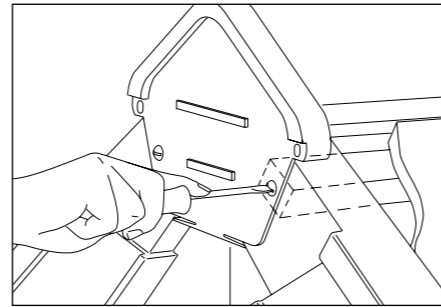


Fig. 15 – Screw ridge end cap

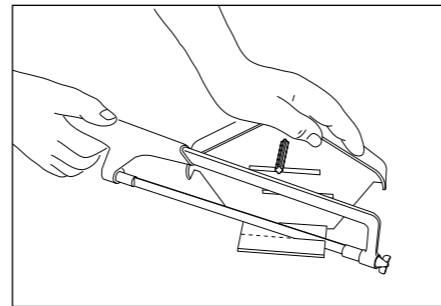


Fig. 16 – Cutting end cap flange

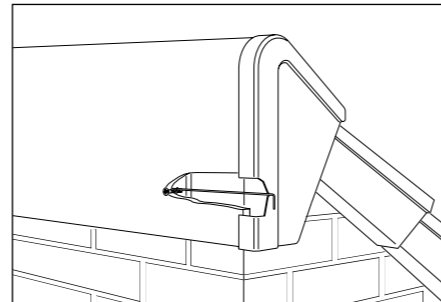
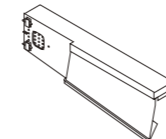
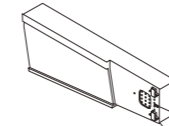


Fig. 18 – Mono-ridge end cap

Components



Universal dry verge unit (LH code 391)



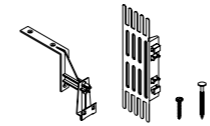
Universal dry verge unit (RH code 392)



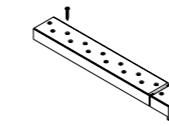
Segmental ridge end cap (code 395)



Modern ridge end cap (code 394)



Universal dry verge starter unit (code MA53931)*



Dry verge refurbishment fixing kit (code 53580)



Segmental mono-ridge end cap and wire hook (LH code 408, RH code 409)



Modern mono-ridge end cap and wire hook (code 395)

* Sold separately. Kits contain: 2 No. Bracket assemblies, 2 No. Plastic filler units, 10 No. 30mm stainless steel screws, 4 No. 50mm stainless steel screws.

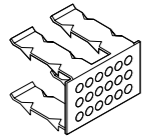
FIXING INSTRUCTIONS

Universal Dry Verge System

 Marley

Batten end clips

Offers quick, easy secure fixing of all dry verge units to the batten end.



Installation

1 Set out eaves course of roof tiles in normal manner, ensuring that, wherever possible, full tiles complete verge-overhang or that highest section of tile profile is cut to finish at edge.

2 Saw tiling battens off square to overhang bargeboard or brickwork by 50mm and nail (Fig. 1).

3 Position top course tiling battens to suit roof pitch and lap at a maximum of 85mm from roof apex.

4 Securing the starter bracket assembly:

(a) Directly to fascia board where there is no requirement for an eaves ventilator strip:

Secure the starter bracket assembly directly onto the corner of the fascia using three of the 30mm screws provided (Fig. 2).

(b) Directly into fascia strip ventilator:

Using two of the 50mm screws provided, secure the starter bracket assembly through the top edge of the fascia ventilator strip and into the fascia board underneath. Be careful not to overtighten. Using one of the 30mm screws provided, secure the starter bracket through the side fixing hole (Fig. 3).

(c) Directly into brickwork:

Using a pair of snips, or similar cutting device, remove the top of the starter bracket assembly at 90° corner, leaving side fixing and the metal spring fixing clip. Drill, plug and secure side assembly into brickwork using one of the 30mm screws provided (Fig. 4).

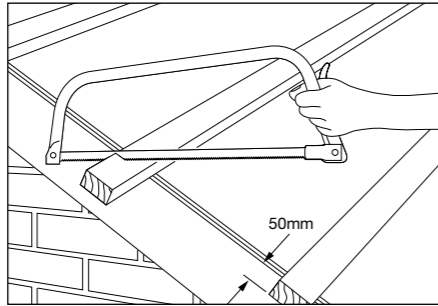


Fig. 1 – Position top course tiling battens

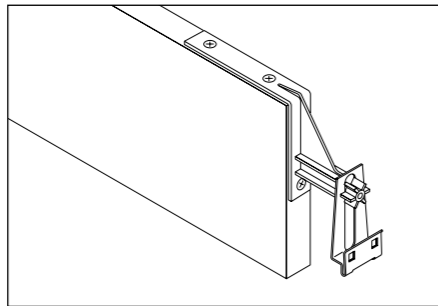


Fig. 2 – Securing starter bracket onto corner of fascia

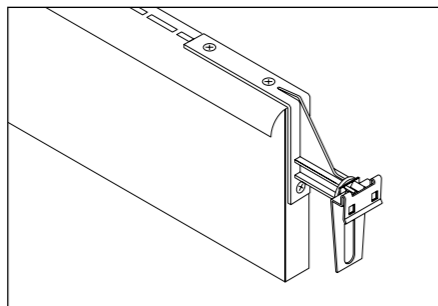


Fig. 3 – Securing starter bracket into fascia strip ventilator

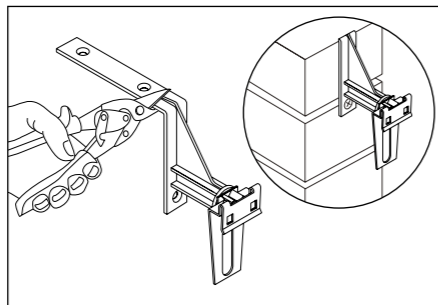


Fig. 4 – Securing the starter bracket directly into brickwork

5 Slide the plastic filler piece onto the internal rails of the dry verge. The filler piece prevents the ingress of birds and insects and will position onto the two middle rails. Engage and slide the filler piece until it clicks into place, approximately half way down the internal rails. Please note that the filler will only engage if it is the correct way round, as illustrated in Fig. 5.

6 Push the verge unit up so the front flange meets flush with the leading edge of the tile (Fig. 6). Fix the verge unit to the tiling batten by means of mechanical engagement using the Marley batten end clip using the appropriate hole (nearest to the centre of the tiling batten).

7 Once the first unit is mechanically fixed into the batten-end, secure the front edge of the dry verge with the metal spring-clip by pushing it on until it cannot go any further.

8 A gentle hammer tap may be required to assist with this. The spring clip achieves a secure fix at one end by clamping (when engaged fully) to the front of the dry verge (Fig. 7).

The other end, when engaged fully will slot through the first and largest slot in the plastic filler unit.

9 When installing the dry verge in conjunction with medium format (15" x 9"), thin leading edge large format tiles or slates, or Lincoln interlocking pantiles, the leading flange should be bent out slightly to allow the verge to engage at a lower level and accommodate tiles with a thinner leading edge. The dry verge flange will need to be bent out as shown in Fig. 8.

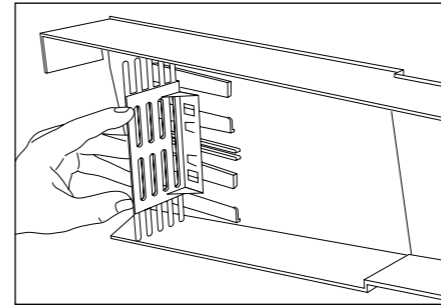


Fig. 5 – Position plastic filler piece

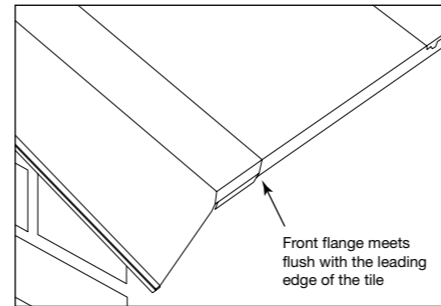


Fig. 6 – Push first verge unit up so it sits flush with leading edge of tile

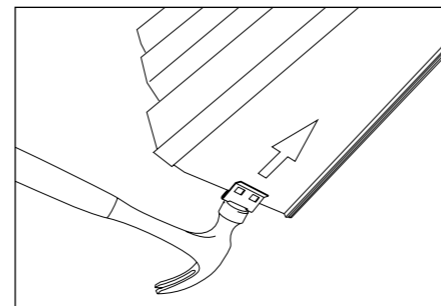


Fig. 7 – Securing the first verge with mechanical fixing

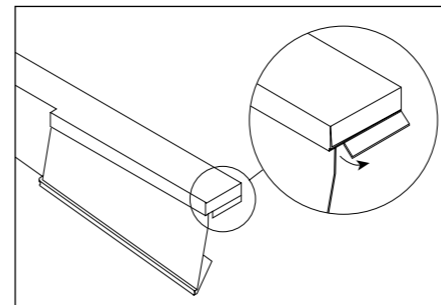


Fig. 8 – Bending the flange for certain tiles

10 Successive dry verge units are interlocked together by sliding upwards against unit below, ensuring that lugs on outside of verge unit fit into internal locating slots (Fig. 9).

IMPORTANT: Verge units can be slid together at different height positions dependent on the roof tile profile and thickness of the leading edge.

Therefore it is important, when installing with medium format and thin leading edge tiles, that the leading flange is bent out to ensure that the verge drops down and engages with the tile below at the correct height.

All verge tiles should be mechanically fixed in accordance with BS 5534 in addition to the use of the Universal dry verge units, i.e. by nailing, clipping or screwing as appropriate.

Installation with medium format interlocking pantiles

11 When using medium format tiles, verge unit distortion can occur when the units are slid into position beneath the next tile course above. This distortion can be eliminated by making a small cut (Fig. 10) along the witness line, as shown.

Use with dry ridge system battens

12 At apex of roof, where battens are located, retain top course dry verge unit by securing a 30mm long screw (supplied in the fixing kit) into second series of holes in verge unit and locate it behind nib section of dry ridge batten (Fig. 11).

13 If required, trim flange of ridge and cap to fit between top course verge units. (Figs. 12 and 13). Screw ridge end cap to end of dry ridge batten by locating 30mm stainless steel screws into end of circular beads on upper flange (Fig. 14).

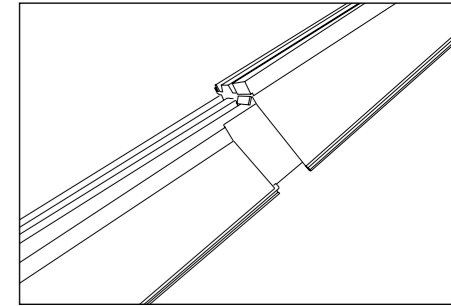


Fig. 9 – Slide verge units upwards

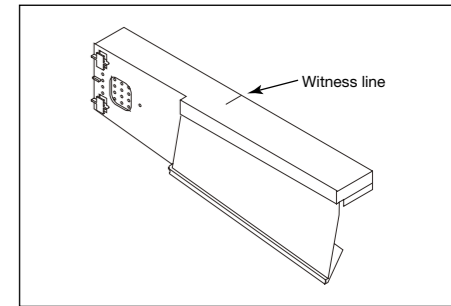


Fig. 10 – Location of witness line and cut being made

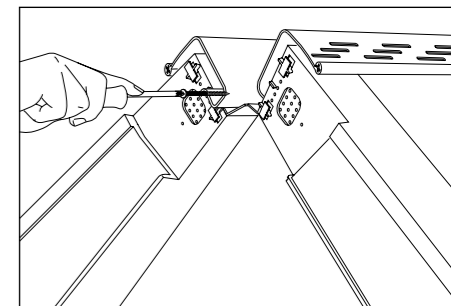
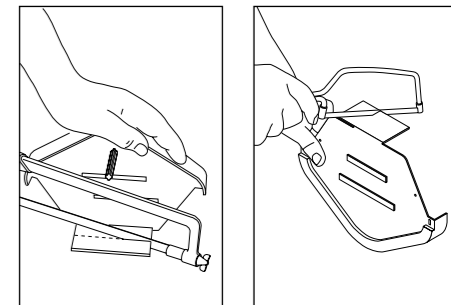


Fig. 11 – Screw verge units at apex of verge



Figs. 12 and 13 – Cutting end cap flange